



INW\_ring blowers Accessories

Industrial filtration



**INECO**

**Air and Vacuum  
Components**

[www.in-eco.eu](http://www.in-eco.eu)

---

## 1\_Air filters for blowers

- › Safety valves, glycerine filled manometers, check valve
- › Air filters with integrated silencer
- › Dirty Filter Indicator
- › Filters for pressure systems, extreme duty filtration
- › Absorption silencers for absolute noise damping
- › Aeration membrane



---

## 2\_Air filtration for vacuum pumps

- › Safety valves, glycerine filled manometers, check valve



## 3\_Industrial filtration

- › Small compact air filters with integrated silencer
- › Filters for pressure systems, extreme duty filtration
- › Extreme duty vacuum filters
- › Integrated liquid separator / vacuum filter
- › Oil mist discharge filters
- › High efficient inlet vacuum filter used specifically for medical vacuum service
- › Extreme filtration with reverse pulse technology

# 1

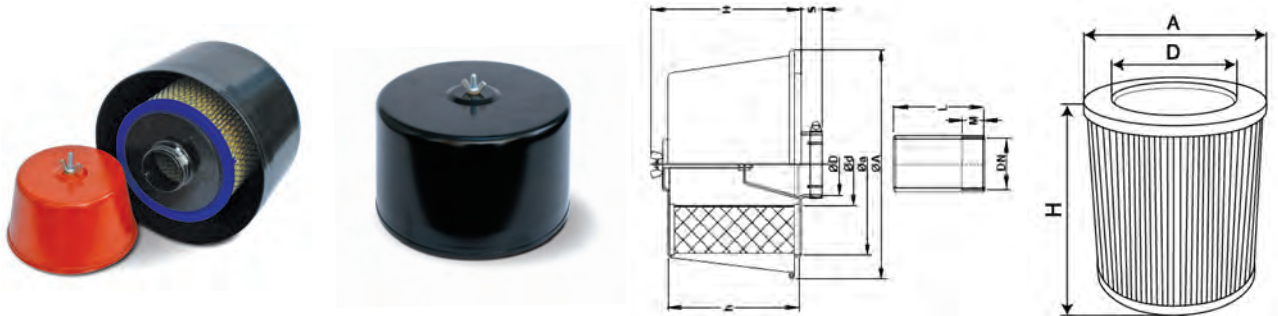
**Air filters for blowers**

—

**Accessories**

## Filters

## INW\_ring blowers / Accessories



Filters	Type	Capacity m <sup>3</sup> /hod	DN	A	D	H	S	L	M
	FA.4020	85	3/4"	150	27	105	23	130	15
FA.4030	85	1"	150	33	105	23	130	15	
FA.4040	85	1 1/4"	150	42	105	23	200	15	
FA.4050	250	1 1/2"	180	48	155	23	200	15	
FA.4060	400	2"	230	60	155	23	200	15	
FA.4070	700	3"	280	89	180	35	200	15	
FA.4080	1400	4"	410	114	330	35	200	15	
FA.4090	2800	5"	410	-	330	-	-	-	

Filter's cartridges	Type	Filter	Dimensions (mm)		
			a	d	h
K.2454	FA.4020	108	55	83	
	FA.4030				
	FA.4040				
K.2455	FA.4050	147	80	135	
K.2456	FA.4060	176	80	135	
K.2457	FA.4070	225	100	150	
K.2458	FA.4080	300	215	300	
	FA.4090				

Always choose an air filter with a flow that is greater than the suction output of the blower.  
The connection dimensions of the filter and blower may differ.

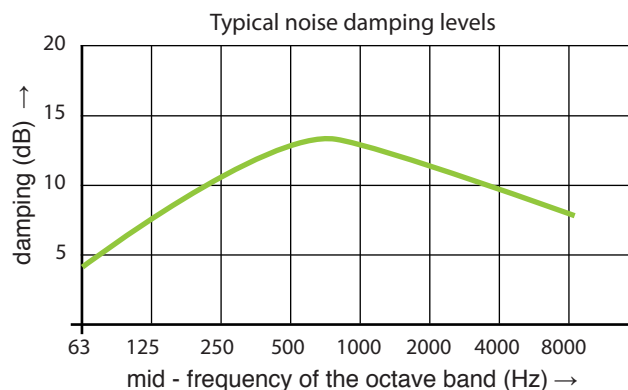


## Air filters with integrated silencer

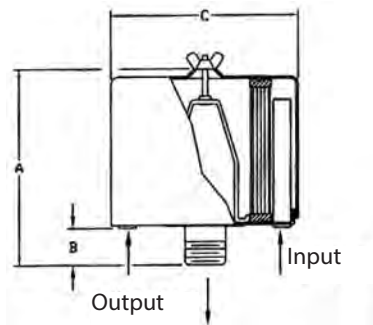
### INW\_ring blowers / Accessories

#### Characteristics

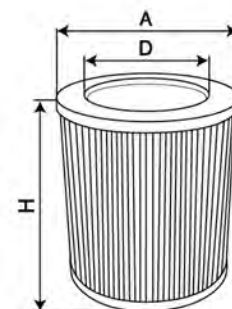
- > permeability of a paper insert up to  $2\ \mu\text{m}$
- > permeability of a polyester insert up to  $5\ \mu\text{m}$
- > damping noise 4 - 14 dB
- > operating temperature from  $-26\ ^\circ\text{C}$  to  $104\ ^\circ\text{C}$
- > damping tubes maximize noise damping and minimize pressure loss
- > drawn filter box from durable carbon steel
- > baked enamel or powder surface finish



The noise damping rate can change depending on the application and type of equipment used.



Dimensions tolerance  $\pm 6\ \text{mm}$



Dimensions tolerance  $\pm 6\ \text{mm}$

Filters	Type	Recommended Max. flow pipe (m <sup>3</sup> /h)	Max. flow cartridges (m <sup>3</sup> /h)	Connection (outer thread) G	Dimensions (mm)			Weight (kg)
					A	B	C	
	FT.119.18P	119	170	1 ¼"	168	41	152	1,5
FT.145.18P	145	170	1 ½"	168	41	152	2	
FT.230.30P	230	332	2"	184	57	254	4	
FT.332.230P	332	510	2 ½"	318	64	254	7	
FT.510.234P	510	970	3"	330	76	406	13	
FT.885.234P	885	970	4"	356	102	406	14	
FT.1360.244P	1360	1500	5"	356	102	406	15	

Filter's cartridges	Type	Filter	Dimensions (mm)		
			a	d	h
	K.18P	FT.119.18P	111	76	121
K.18P	FT.145.18P	111	76	121	
K.30P	FT.230.30P	146	92	121	
K.230P	FT.332.230P	146	92	241	
K.234P	FT.510.234P	200	121	244	
K.234P	FT.885.234P	200	121	244	
K.244P	FT.1360.244P	248	152	244	

Always choose an air filter with a flow that is greater than the suction output of the blower. The connection dimensions of the filter and blower may differ.

## Safety valve, Glycerine filled, Check valve

INW\_ring blowers / Accessories

Safety valve for pressure: type PVD G 1"

Safety valve for pressure and vacuum: type PVG G 1 1/2"



Safety valve	Type	pressure	vacuum	installation dimensions
	PVD	yes	no	G 1"
	PVG	yes	yes	G 1 1/2"

## Glycerine filled manometers



Manometer for pressure:	Type	nominal size	measuring range	connecting thread
	ManDG		65 mm	0 - 1 bar

## Check valve



Check valve	Type	thermal endurance:	material:	connecting thread
	SK25 - 1 1/2"	100 °C	brass	G 1 1/2"
	SK25 - 2"	100 °C	brass	G 2"
	SK40/2002 - 1 1/2"	100 °C	brass	G 1 1/2"
	SK40/2002 - 2 1/2"	100 °C	brass	G 2 1/2"
	SK40/2002 - 2"	100 °C	brass	G 2"
	SK40/2002 - 3"	100 °C	brass	G 3"
	SK40/2002 - 3/4"	100 °C	brass	G 3/4"

## Dirty Filter Indicator

### INW\_ring blowers / Accessories

Dirty filter indicator are used extend filter life. This is a convenient and inexpensive solution to receiving the maximum usage from every element. Dirty filter indicators are used for pressure filters only

#### Features

- > Monitors Filter Continuously
- > Easy Filter Maintenance
- > Filter Element Life Maximized
- > Downtime Reduced
- > Graduated Restriction Readings

#### Specifications:

- > Vacuum Indicator  
(differential and pressure available)
- > Locking Type (non-locking is available)
- > Operating Temperature: -40 to +121 °C
- > Accuracy:  $\pm 10\%$  at red zone
- > Material: Polycarbonate housing



Normal  
Clean Filter.



Gauge shows how  
much capacity  
remains.



Gauge shows filter  
element capacity used.  
Filter requires service.

#### Note:

The monitor gauge has a 1/8" MPT connection. It is mounted either on the weatherhood or on the outlet pipe depending on the filter assembly. Used for pressure applications only.

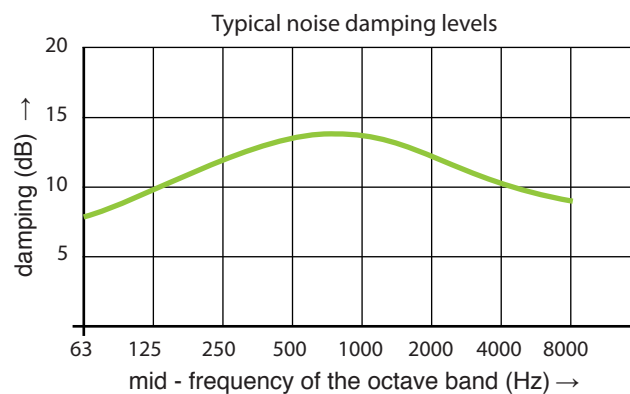
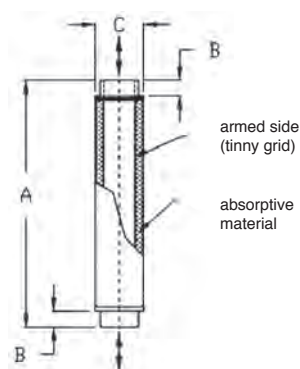
Dirty Filter Indicator	Type	Operating Temperature	Material	connecting thread
	VG-020-013	-40 to 121 °C	Polycarbonate housing	1/8" MPT

## Absorption silencers for absolute noise damping

### INW\_ring blowers / Accessories

#### Characteristics

- > Lowering high-frequency noises by 30 db (depending on the specific use)
- > Minimum pressure loss
- > Layered damping material
- > Maximum operating temperature 100 °c
- > Burned surface finish



The noise damping rate can change depending on the application and type of equipment used.

	Type	Recom- mended flow (m <sup>3</sup> /hod)	Max. flow (m <sup>3</sup> /hod)	Connection (inner thread) G	Dimensions (mm)			Weight (kg)
					A	B	C	
Noise reduction	TH100	75	127	1"	305	17	64	2
	TH.126	95	161	1 ¼"	305	17	64	2
	TH.151	265	450	1 ½"	305	17	79	3
	TH.201	460	782	2"	400	17	92	4
	TH.251	655	1113	2 ½"	533	38	118	8
	TH.301	980	1665	3"	660	40	130	10
	TH.401	980	1665	4"	606	43	254	26



## Aeration membrane

### INW\_ring blowers / Accessories

Fine-bubble aeration membrane - compact and universal due to its high oxygenation efficiency and long lifetime in the aeration process.



#### Aeration membrane - applications:

- > building of the new water treatment plants
- > reconstruction and intensification of the existing water treatments plants
- > intensification of the fish ponds
- > aeration of the water streams and pools
- > mixture of the galvanic baths and the neutralization pools
- > agitation of the suspenses
- > biodegradation of the oil sludges
- > biotechnology...

Technical parameters	
max. air flow per meter length per hour	max. 10 m <sup>3</sup> / m.h
recommended air flow per meter length per hour	2,5 - 8 m <sup>3</sup> / m.h
temperature of the air injected into the membrane	max. 70 °C
percent of O <sub>2</sub> transfer at standard conditions per meter of aerator immersion	6,5% / m water depth
pressure loss depending on air flow	30 - 50 mbar
outside diameter	65 mm
wall thickness	0,5 mm
membrane surface width at light press	102 mm
material (constantly elastic and resistance against hydrolysis and microbe influence)	polyurethan elastomer

#### Benefits of the aeration membrane:

- > regular and continuous bubble production all over whole aerator length (up to 30m)
- > no liquid is leaking in after operation stop or membrane choking
- > minimal pressure lost
- > optimized shape, density and size of perforation
- > high rigidity
- > long lifetime (in common wastewater up to 12 years)
- > optimal wall thickness ensuring high mechanical endurance
- > excellent chemical resistance
- > membrane enables automatic condensation drain off



# 2

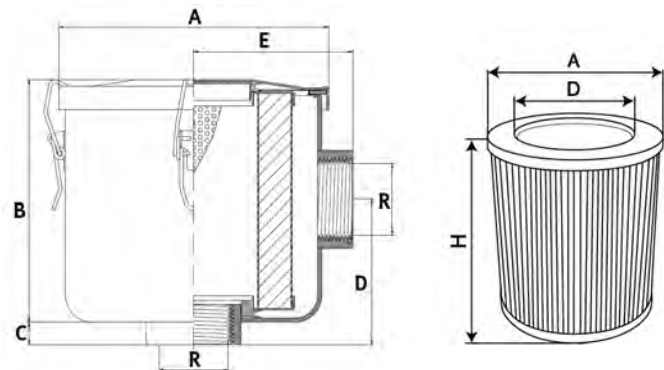
## Air filtration for vacuum pumps

—

### **Accessories**

## Filters

## INW\_vacuum pumps / Accessories



Filters	Type	Capacity m <sup>3</sup> /hod	DN	A	B	C	D	E
	F.002	42	3/4"	110	76	14	53	54
	F.003	108	1 1/4"	170	141	17	93	96
	F.004	96	1 1/4"	133	85	17	53	78
	F.005	192	1 1/2"	170	170	18	124	100
	F.006	310	2"	200	240	18	124	114
	F.006/1	360	2 1/2"	200	240	18	124	114
	F.007	550	3"	270	180	50	145	165
	F.008	720	4"	270	180	50	145	165
	F.009	1080	3"	280	415	60	346	197
F.010	1400	4"	330	623	60	530	235	

Filter s cartridges	Type	Filter	Dimensions (mm)		
			a	d	h
	K.2034	F.002	64	38	69
K.2051	F.003	127	64	123	
K.2032	F.004	98	60	71	
K.2070	F.005	127	64	155	
K.2050	F.006	150	88	221	
K.2050	F.006/1	150	88	221	
K.2063	F.007	212	145	163	
K.2063	F.008	212	145	163	
K.2211	F.009	198	103	378	
K.2086	F.010	242	132	498	

Always choose an air filter with a flow that is greater than the suction output of the blower.  
The connection dimensions of the filter and blower may differ.

## Safety valves PVV G 1"



Safety valve	Type	installation dimensions
	PVV	G 1"

## Glycerine filled manometers



Manometer for vacuum:	Type	nominal size	measuring range	connecting thread
	ManG	65 mm	-1 to 0 bar	G 1/4"

# 3

**Industrial filtration**

—

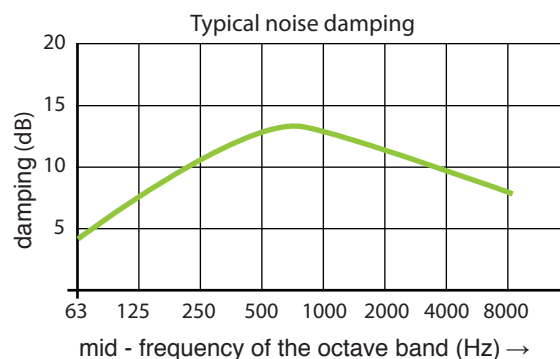
**Accessories**

## Small compact air filters with integrated silencer

### INW\_ring blowers / Accessories

#### Features

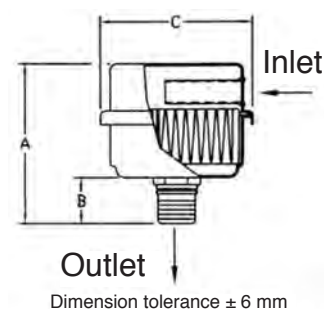
- > Fully drawn weatherhood - no welds to rust or vibrate apart
- > Tubular silencing design - tube is positioned to maximize attenuation and air flow while minimizing pressure drop
- > Durable carbon steel construction with powder coated finish
- > Interchangeable elements
- > Ability to mount vertically, horizontally
- > Temp (continuous): min -15° F ( -26 °C) max 220° F (104 °C)
- > Filter change out differential: 10"-15" in. H<sub>2</sub>O above initial Δ p
- > Typical noise attenuation up to 15 db (due to the wide range of applications and machines these units are used on, a single graph is insufficient. Please inquire for your specific requirement)
- > Pressure drop graphs available upon request
- > 99%± removal efficiency std: paper = 2 micron, polyester = 25 micron



The noise damping rate can change depending on the application and type of equipment used.

#### Applications

- > Ash handling
- > Blowers-side channel
- > Compressor-screw
- > Hydraulic breathers - fine filtration
- > Nailers/staplers
- > Pneumatic conveying systems
- > Waste water aeration
- > Workshop



	Type	Flow (m <sup>3</sup> /h)	Conne- ction (outer thread) G	Dimensions (mm)			Number of damping tubes	weight (kg)		Type	Filter	Dimensions (mm)		
				A	B	C						a	d	h
Filters	FT.7.04	7	1/4"	70	16	64	1	0,11	Filter's cartridges	K.04	FT.7.04	-	57	25
	FT.14.04	14	3/8"	70	16	64	1	0,11		K.04	FT.14.04	-	57	25
	FT.14.06	14	3/8"	90	16	83	1	0,23		K.06	FT.14.06	-	76	35
	FT.14.04	14	1/2"	76	22	64	1	0,11		K.04	FT.14.04	-	57	25
	FT.20.06	20	1/2"	97	22	83	1	0,23		K.06	FT.20.06	-	76	35
	FT.20.10	20	1/2"	105	22	105	1	0,45		K.06	FT.20.10	-	76	35
	FT.20.06	20	3/4"	106	32	83	1	0,23		K.06	FT.20.06	-	76	35
	FT.43.10	43	3/4"	114	32	105	1	0,45		K.10	FT.43.10	-	102	35
	FT.60.10	60	1"	114	32	105	1	0,45		K.10	FT.60.10	-	102	35

Always choose an air filter with a flow that is greater than the suction output of the blower.  
The connection dimensions of the filter and blower may differ.

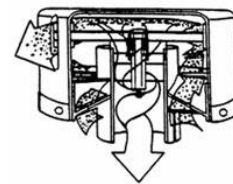


## Filters for pressure systems, extreme duty filtration

INW\_ring blowers / Accessories

### Features & specifications

- > Extreme duty filtration for high dust environments
- > Significantly increases the life of the filter element
- > The centrifugal flow forces particulate through the side louver. It achieves 85% efficiency @ 15 micron or larger.
- > The air stream then enters the lower chamber and is filtered by a 99 ±% efficient pleated element
- > This is a configured product which enables unit to be modified to specific applications
- > Polyester: 99% ± removal efficiency standard to 5 micron
- > Paper: 99% ± removal efficiency standard to 2 micron
- > Filter housing has heavy gauge carbon steel base with low pressure drop bracket and outlet pipe design
- > Durable carbon steel housing construction
- > All small compact filters are a seamless drawn housing
- > Temp (continuous): min -15 °F (-26 °C ) max 220 °F (104 °C )



### Applications

- > Screw compressors
- > Engines
- > Blowers, fans
- > Grain elevators
- > Cement industry
- > Plastics industry
- > Wood chip, paper & pulp industries
- > Pneumatic conveying systems
- > Foundries

	Type		Flow (m³/h)	Con-nection (outer thread) G	con-nection	Dimensions (mm)			Weight (kg)
						A	B	C	
<b>Filters</b>	FE1.5 51.10.120	A	51	½"	BSPT	187	22	105	0.68
	FE1.5 51.10.340	A	51	¾"	BSPT	197	32	105	0.68
	FE2 68.10.120	A	68	½"	BSPT	187	22	105	0.90
	FE2 68.10.340	A	68	¾"	BSPT	197	32	105	0.90
	FE2 68.10.100	B	68	1"	BSPT	197	32	105	0.90
	FE2 94.18P.100	B	94	1"	BSPT	270	38	178	1.7
	FE2 119.18P.140	B	119	1"-1,4"	BSPT	273	41	178	1.7
	FE2 145.18P.120	B	145	1"-1,2"	BSPT	273	41	178	1.7
	FE2.170.18P.200	B	170	2"	BSPT	289	57	178	1.8
	FE2 187.18P.250	B	187	2"-1/2"	BSPT	295	64	178	1.8
	FE3 425.234P.300	C	425	3"	BSPT	476	76	279	14
	FE4 510.234P.300	C	510	3"	BSPT	498	76	279	14
	FE3 425.234P.400	C	425	4"	BSPT	502	102	279	14
	FE4 680.234P.400	C	680	4"	BSPT	524	102	279	15
	FE3 425.234P	C	425	DN100	príruba	502	102	279	16
	FE4 680.234P	C	680	DN100	príruba	524	102	279	16
	FE6 850.274P	D	850	DN100	príruba	781	102	406	20
	FE42 1360.376P	D	1360	DN125	príruba	724	102	572	40
	FE62 1870.376P	D	1870	DN150	príruba	775	127	572	45
	FE62 3060.376P	D	3060	DN200	príruba	800	152	572	46
FE63 4590.384P	D	4590	DN250	príruba	775	152	724	62	
FE63 4590.484P	D	4590	DN300	príruba	953	152	724	73	

	Type	Filter	Dimensions (mm)		
			a	d	h
<b>Filter's cartridges</b>	K.10	FE1.5 51.10.120	-	102	35
		FE1.5 51.10.340			
		FE2 68.10.120			
		FE2 68.10.340			
K.10	FE2 68.10.100	-	102	35	
K.18P	FE2 94.18P.100	76	111	121	
	FE2 119.18P.140				
	FE2 145.18P.120				
K.18P	FE2.170.18P.200	76	111	121	
	FE2 187.18P.250				
K.234P	FE3 425.234P.300	121	200	244	
	FE4 510.234P.300				
K.234P	FE3 425.234P.400	121	200	244	
	FE4 680.234P.400				
	FE3 425.234P				
K.274P	FE6 850.274P	203	298	244	
K.376P	FE42 1360.376P				
	FE62 1870.376P				
	FE62 3060.376P				
K.384P	FE63 4590.384P	356	498	368	
K.484P	FE63 4590.484P	356	498	546	

Always choose an air filter with a flow that is greater than the suction output of the blower. The connection dimensions of the filter and blower may differ.

## Extreme duty vacuum filters

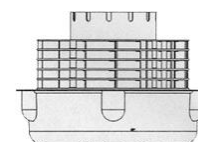
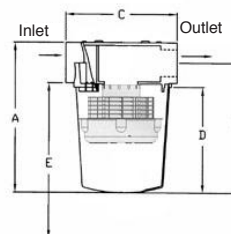
INW\_vacuum pumps / Accessories

### Features

- > Extreme duty filtration for high dust environments
- > Excellent removal for short fibers
- > Significantly increases life of filter element
- > 85 ±% Efficient up to 15 microns
- > Made of durable molded fiber filled composite material
- > Reduced pressure drop
- > Low pressure drop and positive sealing assembly
- > Large dirt holding capacity
- > Clip release shell for easy maintenance
- > 6" Spinmeister housing have an extended shell

### Applications & equipment

- > Screw compressors
- > Woodworking/router tables
- > Vacuum systems
- > Plastics
- > Material handling systems
- > Pneumatic conveying systems
- > Food processing



	Upstream capture	Filter with paper cartridges	Filter with polyester cartridges	Flow at an upstream capture (m³/h)	The flow rate of the filter insert (m³/h)	Con- nec- tion BSP	Dimensions (mm)					Type paper	Type polyes- ter	
							A	B	C	D	E			
Filtre	FPZ.L235.298	FP.298.850	FE.298.851	68-187	298	2"	413	362	229	318	559	Filter's cartridges	K.850	K.851
	FPZ.L235.357	FP.357.850	FE.357.851	68-188	357	2 ½"	413	362	229	318	559		K.850	K.851
	FPZ.L345.510	FP.510.234P	FE.510.235P	170-340	510	3"	502	432	343	356	635		K.234P	K.235P
	FPZ.L445.510	FP.510.234P	FE.510.235P	340-765	510	3"	502	432	343	356	635		K.234P	K.235P
	FPZ.L345.884	FP.884.234P	FE.884.235P	170-340	884	4"	502	432	343	356	635		K.234P	K.235P
	FPZ.L445.884	FP.884.234P	FE.884.235P	340-765	884	4"	502	432	343	356	635		K.235P	K.235P

Always choose an air filter with a flow that is greater than the suction output of the blower.  
The connection dimensions of the filter and blower may differ.

## Integrated liquid separator / vacuum filter

INW\_vacuum pumps / Accessories

### Features & specifications

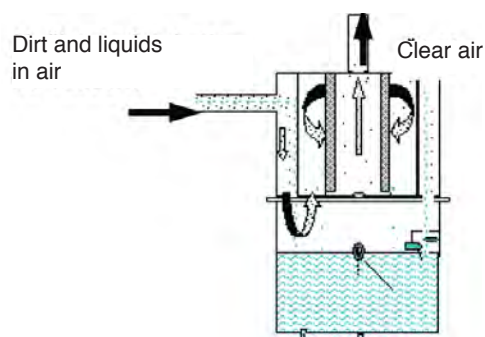
- > 99% liquid removal efficiency
- > Durable carbon steel construction with standard blue epoxy coating
- > Integrated baffle mechanism
- > Significant liquid holding capacity Integrated Liquid Separator / Vacuum Filter LRS and SRS Series
- > Dimension tolerance  $\pm 1/4"$
- > 1/4" taps on inlet/outlet ports standard for flange units
- > 1" sight port for visual inspection
- > 1" drain port
- > Max vacuum level: typically  $1.3 \times 10^{-3}$  mbar
- > Wide range of operation flows

### Applications & equipment

- > Food packaging
- > Pharmaceutical
- > Chemical processes
- > Vacuum pumps & systems
- > Metal processing/chip processing
- > Inquires encouraged



Dimension tolerance  $\pm 6$ mm



	Model Number Polyester	Input and output (BSPP/flange)	Flow (m <sup>3</sup> /h)	Retentive capacity L	Dimensions (mm)				
					A	B	C	D	E
Filtre	KO.105.075	3/4"	105	5,7	432	19	195	76	19
	KO.145.100	1"	145	5,7	432	19	195	76	19
	KO.145.126	1 1/4"	145	5,7	457	19	195	76	19
	KO.170.151	1 1/2"	170	5,7	457	19	195	76	19
	KO.230.201	2"	230	9,5	565	19	305	95	19
	KO.335.251	2 1/2"	335	9,5	619	73	305	95	73
	KO.510.301	3"	510	9,5	638	73	305	95	73
	KO.885.DN100	DN100	885	17	619	102	406	132	102
	KO.1415.DN150	DN150	1415	17	1029	127	406	108	127
	KO.2170.DN200	DN200	2170	26	Dependent on the specifications				
	KO.3060.DN250	DN250	3060	38					
KO.3060.DN300	DN300	3060	38						

Note: Model offerings and design parameters may change without notice.

## Oil mist discharge filters

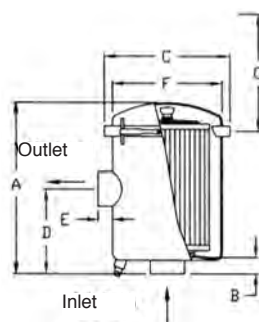
INW\_vacuum pumps / Accessories

### Features

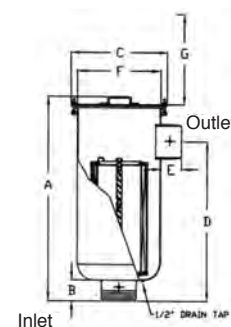
- > Brazed fittings for high vacuum duty
- > Low pressure drop
- > Positive sealing o-ring seal system
- > Seamless drawn one piece carbon steel canister
- > Minimum 99.97% D.O.P. On 0.3  $\mu\text{m}$  diameter particles
- > Increased surface area in a given volume allows low Velocity separation of ultra fine oil mist
- > Large oil catching efficiency and easy field cleaning
- > Filter change out differential: 2.5 Psidn ppmw = parts per million by wt.
- > Temperature (continuous operating)  
68 °F ( 20 °C) to 180 °F (80 °C)
- > Handles hot air and oil mist from unload cycle of reciprocating /piston compressor
- > Rugged construction
- > High dop efficiency means low oil carryover
- > 1/4" drain tap standard

### Applications

- > Blower exhaust oil mist
- > Cement
- > Food processing-pressure
- > Nailers/staplers
- > Paper processing
- > Vacuum coating
- > Vacuum freeze dry
- > Vacuum outgassing
- > Industrial vacuum processes
- > Oil removal for pressure unloading vents  
On piston compressors
- > Captures oil fog, mist, or smoke from exhaust on oil flooded vacuum pumps
- > Any application requiring low delta p coalescing of large air volumes



Dimension tolerance  $\pm 6$  mm



Dimension tolerance  $\pm 6$  mm

	Type	Input and output (BSPP)	Flow (m <sup>3</sup> /h) with cartridge	Flow (m <sup>3</sup> /h) nominal	Dimensions (mm)						Weight (kg)	
					A	B	C	D	E	F		G
Filtre	FO.85.100	1"	85	68	171	19	186	117	19	171	133	2
	FO.85.126	1 1/4"	85	85	171	19	186	117	19	171	133	2
	FO.85.151	1 1/2"	85	85	171	19	186	117	19	171	133	2
	FO.219.201	2"	219	213	286	19	222	127	19	194	235	7
	FO.340.201	2"	340	298	445	19	222	127	19	194	368	14
	FO.213.251	2 1/2"	213	213	298	32	222	140	32	194	235	7
	FO.340.251	2 1/2"	340	340	457	32	222	140	32	194	368	14
	FO.510.251	2 1/2"	510	425	406	64	387	222	64	305	254	16
	FO.850.301	3"	510	850	791	76	356	572	76	305	381	34
	FO.850.401	4"	850	850	791	76	356	572	76	305	381	35
	FO.1870.501	5"	1360	1870	968	76	470	749	76	406	381	75
	FO.1870.601	6"	1870	1870	994	102	470	775	102	406	559	72
FO.3060.200	DN200	3060	3060	986	102	533	648	102	483	559	81	

Always choose an air filter with a flow that is greater than the suction output of the blower. The connection dimensions of the filter and blower may differ.

## High efficient inlet vacuum filter used specifically for medical vacuum service

### INW\_vacuum pumps / Accessories

Vacuum filters for hospital non sanitary required work areas prevents damage to vacuum pumps and protects the work area environment from harmful contaminates. They are designed for the removal of liquids, solids, and sub-micron particles.

These high efficiency inlet vacuum filters are specifically designed for medical vacuum service on atmospheric air applications and can be used on a variety of vacuum pumps in most laboratory and hospital environments.

#### Features:

- > Compact design for space restrictions
- > Designed for the removal of liquids, solids, and submicron particles
- > Prevents damage to vacuum pumps and protects the work environment from harmful contaminates
- > Ulpa media is 99.9% Efficient 0.2 Microns
- > See-through bucket, high impact and shatter resistant, offers easy visual inspection
- > Brass valve and fittings for contaminated liquid release
- > Easy removable & serviceable sterilisable drain flask
- > Corrosive resistant cast aluminum head w/integrated baffle
- > „E.R.“ Delta p gauge - this „easy read“ gauge provides color coordinated pressure drop readings.



	Type	Filter's cartridges	Input and output (BSPP)	Type of connection	Flow (m³/h)	Weight
						(kg)
Filters	FZ.175.200	F.851	2"	FPT	175	7,7
	FZ.175.250	F.851	2-1/2"	FPT	175	7,3
	FZ.340.300	F.235	3"	FPT	340	14
	FZ.340.400	F.235	4"	FPT	340	12
	FZ.175.201	F.851	2"	BSPP	175	7,7
	FZ.175.251	F.851	2 1/2"	BSPP	175	7,3
	FZ.235.301	F.235	3"	BSPP	340	14
	FZ.235.401	F.235	4"	BSPP	340	12

Always choose an air filter with a flow that is greater than the suction output of the blower. The connection dimensions of the filter and blower may differ.



## Extreme filtration with reverse pulse technology

### INW\_vacuum pumps / Accessories

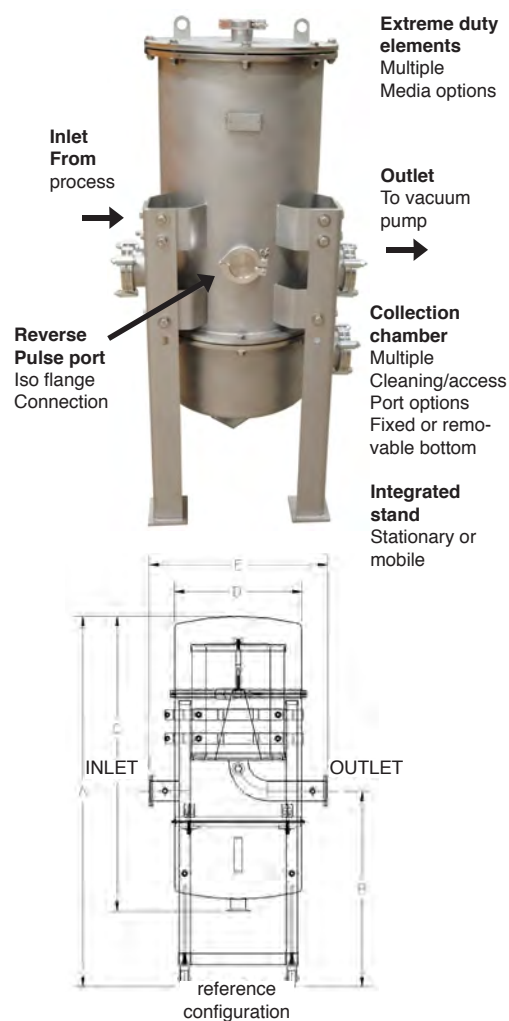
Designs & manufactures application specific filtration products capable of operating in harsh environments while safeguarding operators and mission critical equipment

#### Applications & Equipment

- > Crystal growing furnaces
- > Vacuum coating and lamination
- > Wet & dry vacuum pumps & systems
- > Compatible with most dopants
- > Safeguard pumps from harmful particles (SiO<sub>x</sub>)
- > Prevent particles from contaminating pump oil
- > Reduce risk of backstreaming
- > Prevents build up and seizing in dry pumps

#### Standard features & specifications

- > Integrated reverse pulse technology unloads And extends filter life improving maintenance Intervals and process run time
- > Ptfе media: 99% efficiency @ 0.3 Micron
  - Temp (continuous): 275 °F(135 °C)
- > Dutch twill media: 99.5% Efficiency @ 1 micron
  - Temp (continuous): 350 °F(176 °C)
- > Interchangeable filter element provides for easy replacement
- > Integrated support stand with guides simplifies maintenance
- > Available in carbon steel or all stainless steel construction
- > Large holding capacity extends maintenance intervals
- > High conductance design
- > Leak rate: minimum standard of 1x10<sup>-7</sup> mbar l/sec



Filters	Reference Only Part Number w /PTFE Element	Material of construction	Inlet & Outlet	Reference only dimensions (mm)				
				A	B	C	D	E
	SP-TF235Q-400	Carbon Steel	4" FLG	1098	657	857	305	514
	SP-TF235Q-400N	Stainless Steel	4" FLG	1098	657	857	305	514
	SP-TF375Q-100	Carbon Steel	ISO K 100	1184	625	943	406	584
	SP-TF375Q-100N	Stainless Steel	ISO K 100	1184	625	943	406	584
	SP-TF375Q-160	Carbon Steel	ISO K 160	1184	625	943	406	587
	SP-TF375Q-160N	Stainless Steel	ISO K 160	1184	625	943	406	587



**INECO**

IN-ECO, spol. s r.o.  
Radlinského 13  
034 01 Ružomberok  
Slovak Republic  
T +421 44 4304662  
F +421 44 4304663  
E [info@in-eco.eu](mailto:info@in-eco.eu)  
[www.in-eco.eu](http://www.in-eco.eu)